

Load Rating Chart

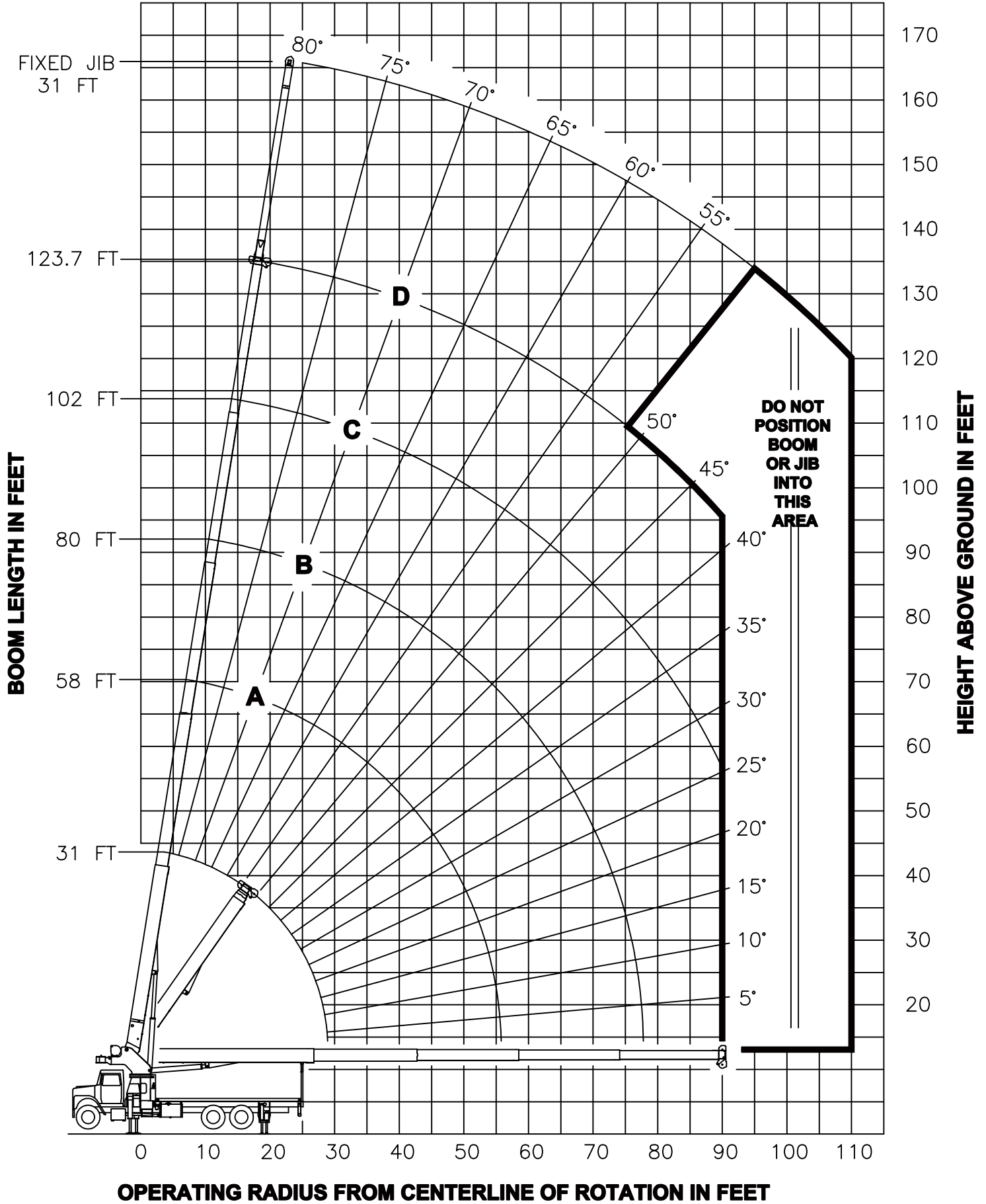
Model 35124C & 35124T

Manitex

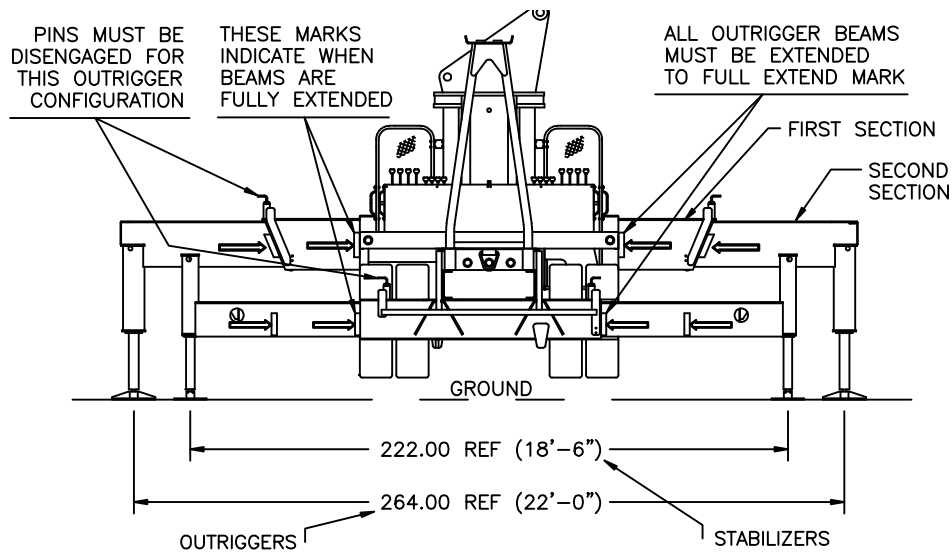
© Manitex

NOTE: Additional copies of this Load Rating Chart can be purchased from your Manitex Distributor. When ordering, use the part number shown in the bottom left corner of this page.

RANGE DIAGRAM - FULL SPREAD CONFIGURATION -



**USE THIS CHART ONLY
WHEN OUTRIGGERS
AND STABILIZERS ARE
FULLY EXTENDED**



- FULLY EXTENDED OUTRIGGER CONFIGURATION -

		MAIN BOOM LOAD RATINGS IN LBS										JIB LOAD RATINGS IN LBS				
		LMI CODE #1										LMI CODE #2				
OPERATING RADIANT	LOADED BOOM ANGLE	BOOM LENGTH AND MARKER											OPERATING RADIANT	LOADED BOOM ANGLE	31 FT JIB FOR ALL BOOM LENGTHS SEE WARNING NOTE 4	
			A		B		C		D		RATED LOAD IN POUNDS					
			°	31 FT	°	58 FT	°	80 FT	°	102 FT		°				123.7 FT
6	81	70000														
8	76	53390														
10	72	45380												10		
12	68	39420	79	25000										12		
15	61	33110	76	25000	81	21500								15		
20	49	23710	71	22870	78	19700	81	14500						20		
25	34	17680	65	18280	74	17420	79	13500	81	8450				25		
30			60	14150	70	14320	76	12820	79	8150				30	81	4000
35			53	11080	66	11270	73	11370	76	7800				35	79	3850
40			47	8590	62	8770	69	8870	74	7280				40	77	3700
45			39	6780	57	6960	66	7050	72	6780				45	75	3550
50			29	5400	52	5580	63	5660	69	5710				50	73	3400
55			13	4320	47	4490	59	4570	66	4620				55	71	3250
60					42	3620	56	3700	64	3740				60	69	3080
65					36	2890	52	2970	61	3020				65	67	2910
70					28	2290	48	2370	58	2410				70	66	2740
75					18	1770	44	1850	55	1900				75	64	2220
80							39	1410	52	1450				80	62	1770
85							34	1030	49	1070				85	60	1390
90							28	690	45	730				90	57	1050
95														95	55	750
		450 LBS	240 LBS	180 LBS	140 LBS	120 LBS	DEDUCTIONS FOR STOWED JIB									