

GROVE[®]

GMK4100L-2

Product Guide

ASME B30.5 Imperial 85%



115 USt
(100 t)



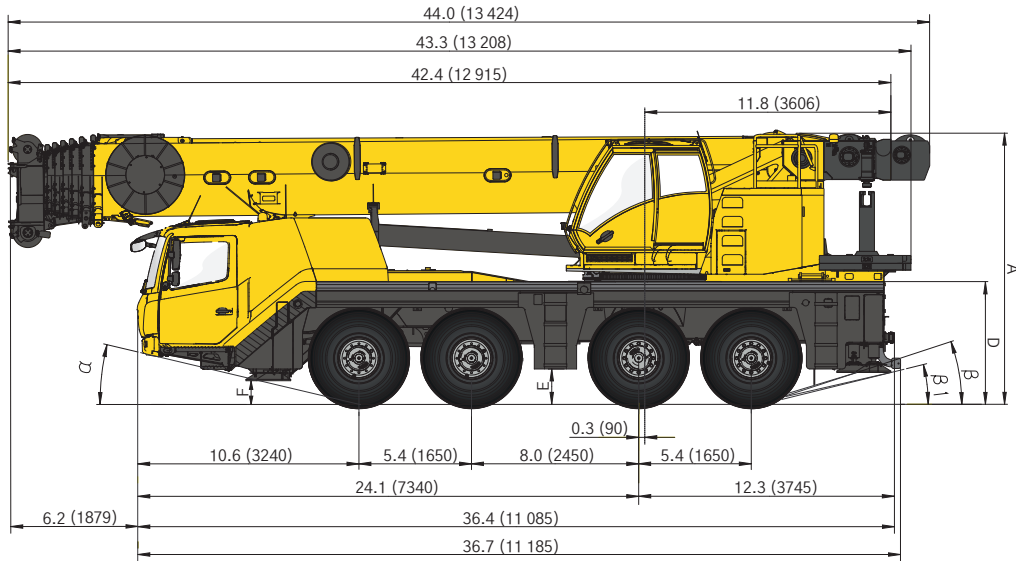
197 ft
(60 m)



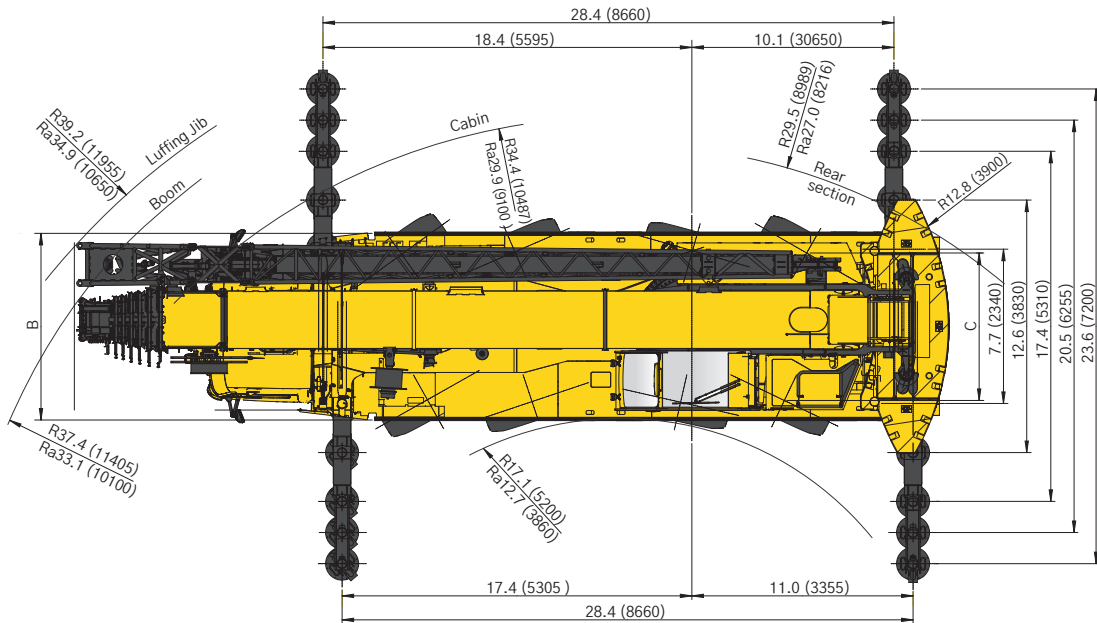
292 ft
(89 m)

GROVE
CONNECT™

DIMENSIONS



Dimensions shown are in ft (mm).



Dimensions shown are in ft (mm)

Ra = Radius all wheels steered

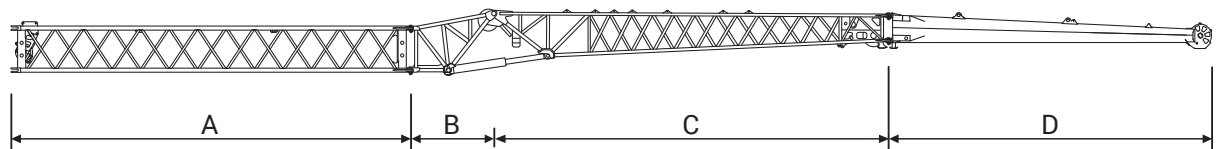
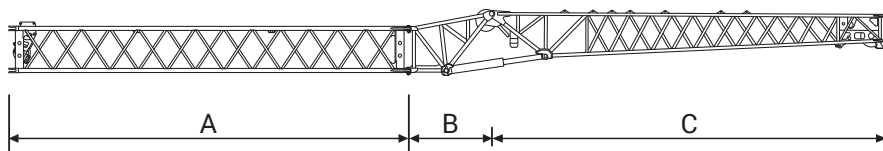
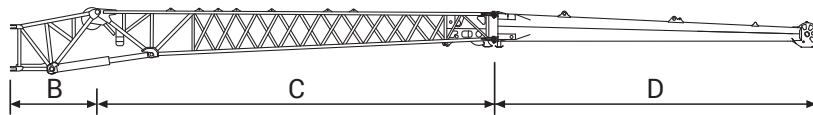
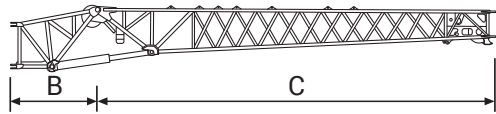
	A	A 0.4* (126 mm)	B	C	D	E	F	a	b	b1
14.0 R25	12.9 (3940)	12.5 (3810)	8.4 (2550)	2320 (7.6)	5.7 (1750)	1.4 (435)	0.9 (262)	14	21	17
16.0 R25	13.1 (3990)	12.7 (3860)	9.0 (2750)	2280 (7.5)	6.1 (1863)	1.6 (485)	1.0 (292)	16	23	19
20.5 R25	13.1 (3990)	12.7 (3860)	9.4 (2880)	2320 (7.6)	6.1 (1863)	1.6 (485)	1.0 (292)	16	23	19

* Lowered

DIMENSIONS

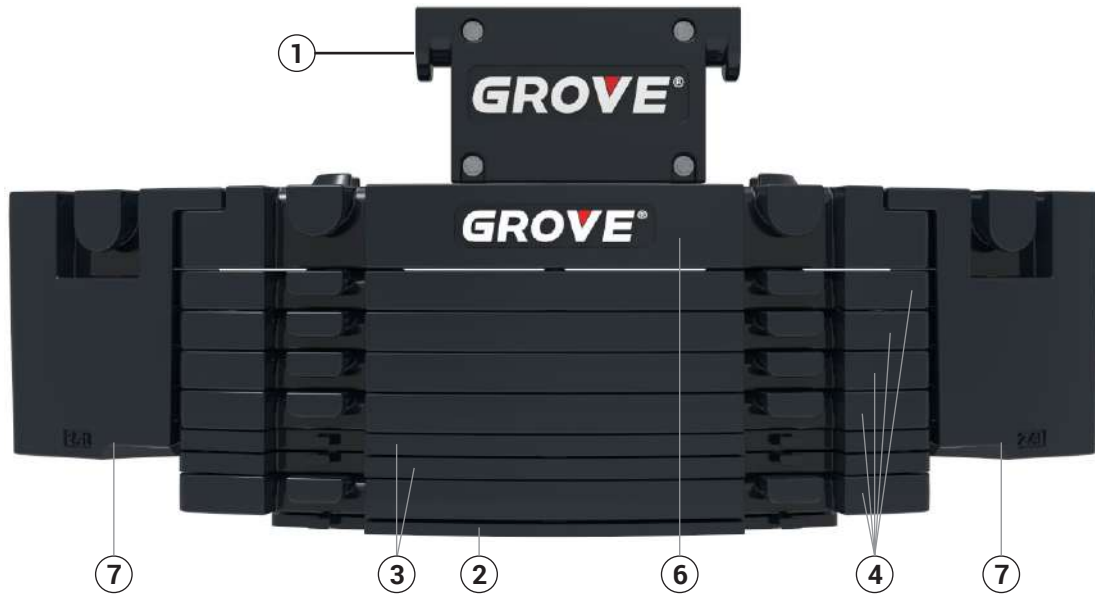
Bi-Fold Swingaway Jib Configurations

	A	B	C	D
	26.2 ft (8,0 m)	5.6 ft (1,7 m)	26.2 ft (8,0 m)	20.1 ft (6,3 m)
31.8 ft (9,7 m)	--	x	x	--
52.5 ft (16,0 m)	--	x	x	x
57.1 ft (17,4 m)	x	x	x	--
78.7 ft (24,0 m)	x	x	x	x



COUNTERWEIGHT

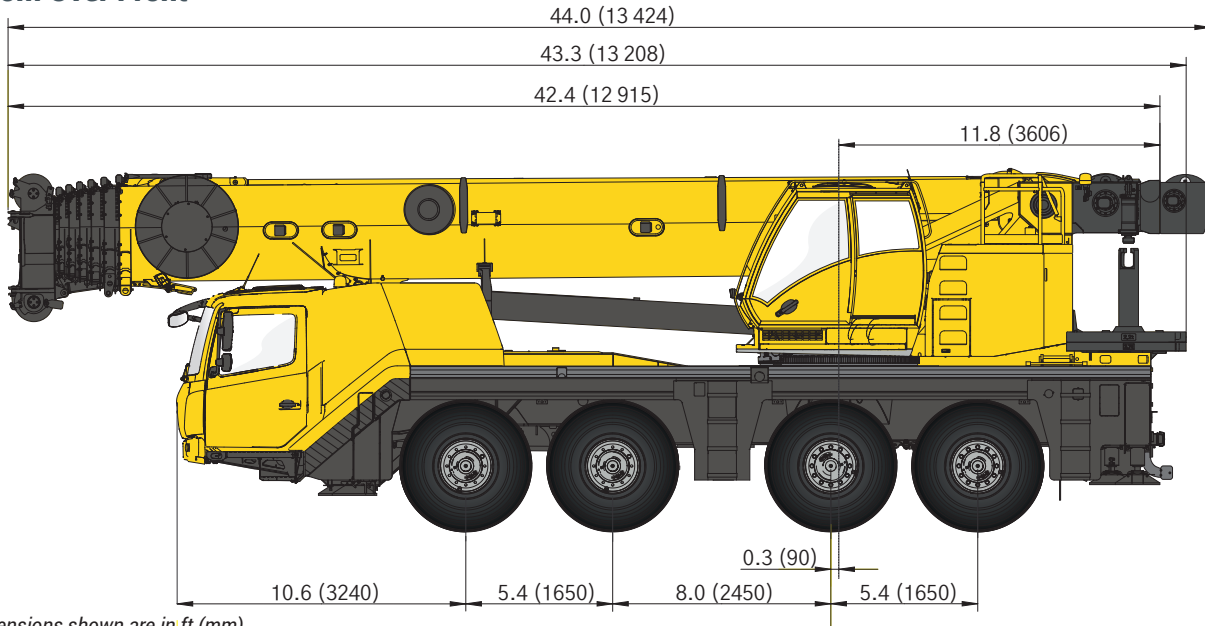
Fully Removable Counterweight



	1 1,800 lb (0,8 t)	2 2,650 lb (1,2 t)	3 2,650 lb (1,2 t)	4 5,300 lb (2,4 t)	6 10,600 lb (4,8 t)	7 5,300 lb (2,4 t)
1,700 lb (0,8 t)	x					
4,400 lb (2,0 t)	x	x				
7,100 lb (3,2 t)	x	x	x			
9,700 lb (4,4 t)	x	x		x		
12,300 lb (5,6 t)	x	x	x	x		
14,900 lb (6,8 t)	x	x		2 x		
17,600 lb (8,0 t)	x	x	x	2 x		
20,200 lb (9,2 t)	x	x		3 x		
22,900 lb (10,4 t)	x	x	x	3 x		
25,500 lb (11,6 t)	x	x		4 x		
28,200 lb (12,8 t)	x	x	x	4 x		
30,800 lb (14,0 t)	x	x		5 x		
33,500 lb (15,2 t)	x	x	x	5 x		
36,100 lb (16,4 t)	x	x		4 x	x	
38,800 lb (17,6 t)	x	x	x	4 x	x	
41,450 lb (18,8 t)	x	x		5 x	x	
44,000 lb (20,0 t)	x	x	x	5 x	x	
46,700 lb (21,2 t)	x	x	2 x	5 x	x	
54,600 lb (24,8 t)	x	x	x	5 x	x	2 x
57,300 lb (26,0 t)	x	x	2 x	5 x	x	2 x

WEIGHTS

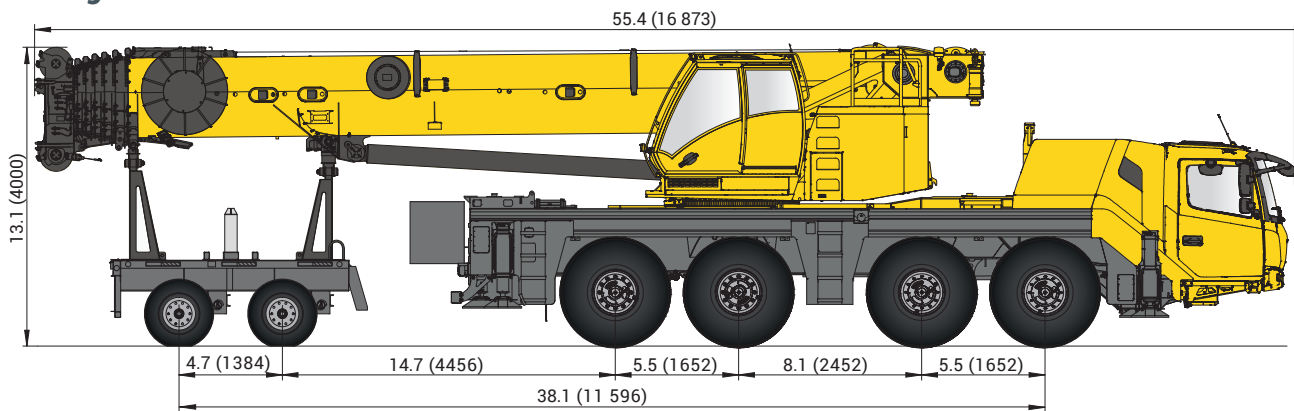
Boom Over Front



Dimensions shown are in ft (mm)

Basic Weights	Axles 1 & 2	Axles 3 & 4	Total
16.00 R25, 8x6x8 drive/steer, nylatron outrigger pads, single sheave hook block, hose reel, 4.8t (10,600 lb) counterweight fixed on superstructure	52,600 lb (23 860 kg)	52,660 lb (23 890 kg)	105,250 lb (47 740 kg)

Trailing Boom



Dimensions shown are in ft (mm)

*Boom dolly mode requires fully removable counterweight option.

Basic Weights	Axles 1 & 2	Axles 3 & 4	Dolly	Total
20.5 R25 on steel, 8x6x8 drive/steer, 31.8 ft to 52.5 ft (9.7 m to 16 m) & hose reel, nylatron outrigger pads, aux hoist, single sheave block hanging over boom nose, 2 axle boom dolly (5100 lb/ 2300 kg), 2650 lb (1.2t) counterweight tray installed on dolly, rear rigging box full of timber, T1 telescoped 14 ft.	39,900 lb (9050 kg)	27,800 lb (6310 kg)	39,900 lb (9050 kg)	107,610 lb (48 810 kg)

* To acquire a custom roading scenario for your region please see your local dealer or Manitowoc representative.

LOAD CHART

Main Boom



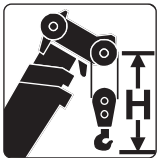
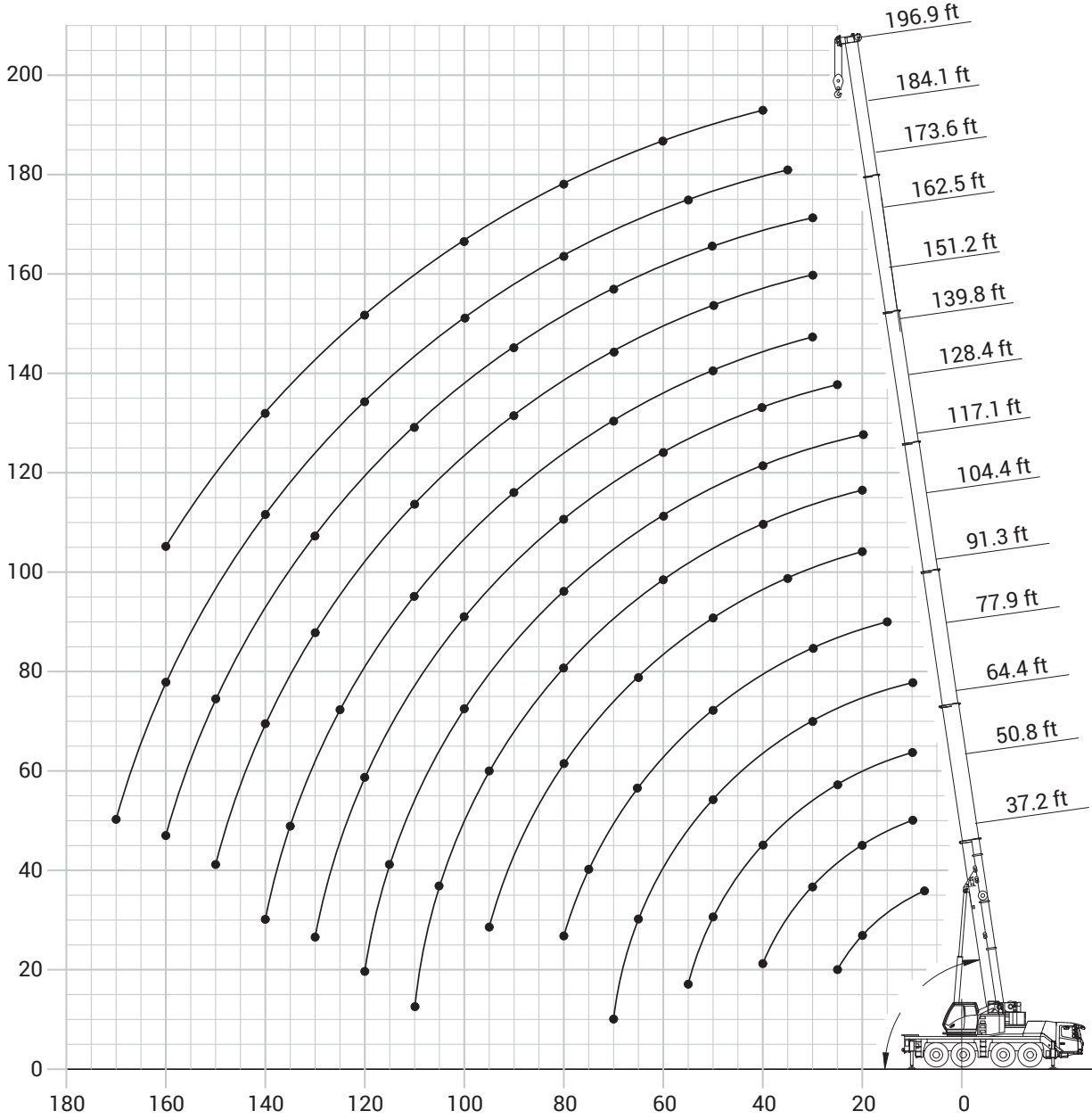
37 ft - 197 ft
(11,3 - 60, 0 m)



23.6 ft
(7,2 m)



360°



Hook block (USt)	H (ft)
110 D	10.2
88 E/D	9.5
55 E/D	9.2
29 E/D	9.2
10 H/B	7.7

LOAD CHART

Main Boom



37 ft – 197 ft
(11,3 – 60, 0 m)



57,300 lb
(26 t)



23.6 ft
(7,2 m)



360°



Pounds x 1000

Feet	37.2	50.5	64.4	77.9	91.3	104.4	117.1	128.4	139.8	150.5	156-162	173.5	184.1	190.4	196.9
10	167.0	167.0	166.0												
15	130.0	130.0	130.0	130.0											
20	104.0	105.0	105.0	94.0	100.0	82.0	69.0								
25	87.0	88.0	87.0	87.0	88.0	76.0	67.0	54.0							
30		73.0	72.0	72.0	73.0	69.0	63.0	53.0	44.0	38.4					
35		62.0	59.0	62.0	61.0	61.0	58.0	48.0	43.0	38.2	30.4				
40		52.0	53.0	53.0	50.0	50.0	50.0	43.2	40.0	36.8	30.4	25.6	21.8	19.0	17.8
45			45.0	45.0	45.0	42.6	42.8	39.4	36.6	34.6	30.0	25.6	21.8	19.0	17.8
50			38.0	37.6	39.0	38.2	37.0	35.0	33.4	32.0	28.2	25.6	21.8	19.0	17.8
55			33.8	34.2	33.6	34.6	32.2	30.4	29.6	29.6	26.4	24.6	21.8	18.8	17.6
60				29.6	29.0	30.4	28.4	26.8	26.0	26.2	24.8	23.2	21.8	18.8	17.4
65				25.8	25.2	26.8	25.0	23.6	22.8	23.2	22.6	21.8	20.6	18.4	17.2
70				14.2	22.0	23.6	23.6	20.8	20.2	20.6	20.0	20.2	19.6	18.0	16.6
75					19.2	20.8	21.8	18.6	18.0	18.4	17.8	18.0	18.4	17.2	15.4
80					17.0	19.4	19.4	16.4	16.0	17.2	16.0	16.8	16.6	16.2	14.4
85						18.2	17.4	14.4	14.2	16.2	14.4	15.6	14.8	15.0	13.6
90						16.4	15.8	12.6	12.6	15.2	13.4	14.4	13.4	13.6	12.6
95						13.2	14.2	11.8	11.4	13.8	12.6	13.2	12.2	12.2	11.8
100							12.8	11.2	10.6	12.6	11.8	12.0	11.0	11.0	10.8
105							11.6	10.6	10.0	11.2	11.0	10.8	10.0	10.0	9.8
110								10.2	9.4	10.2	10.4	9.8	9.4	9.0	8.8
115								9.8	9.0	9.2	9.4	8.8	8.8	8.2	8.0
120								4.6	8.4	8.2	8.6	8.0	8.0	7.4	7.2
125									8.0	7.4	7.8	7.0	7.2	6.6	6.4
130									6.4	6.6	7.4	6.6	6.4	5.8	5.6
135									5.0	6.0	7.0	6.2	5.8	5.0	5.0
140										5.4	6.4	5.6	5.0	4.4	4.2
145											5.8	5.0	4.4	3.8	3.6
150											4.4	4.6	4.0	3.2	3.0
155												4.0	3.4	2.8	2.6
160												3.6	3.0	2.2	2.0
165													2.4		
170													2.0		

*Boom length noted represents range of similar lengths.

THIS CHART IS ONLY A GUIDE AND SHOULD NOT BE USED TO OPERATE THE CRANE.

The individual crane's load chart, operating instructions and other instructional plates must be read and understood prior to operating the crane

WORKING RANGE

Main Boom and Bi-fold Swingaway



37 ft - 197 ft
(11,3 - 60,0 m)



0°-40°
30.9 ft - 52.5 ft
(9,4 m - 16 m)



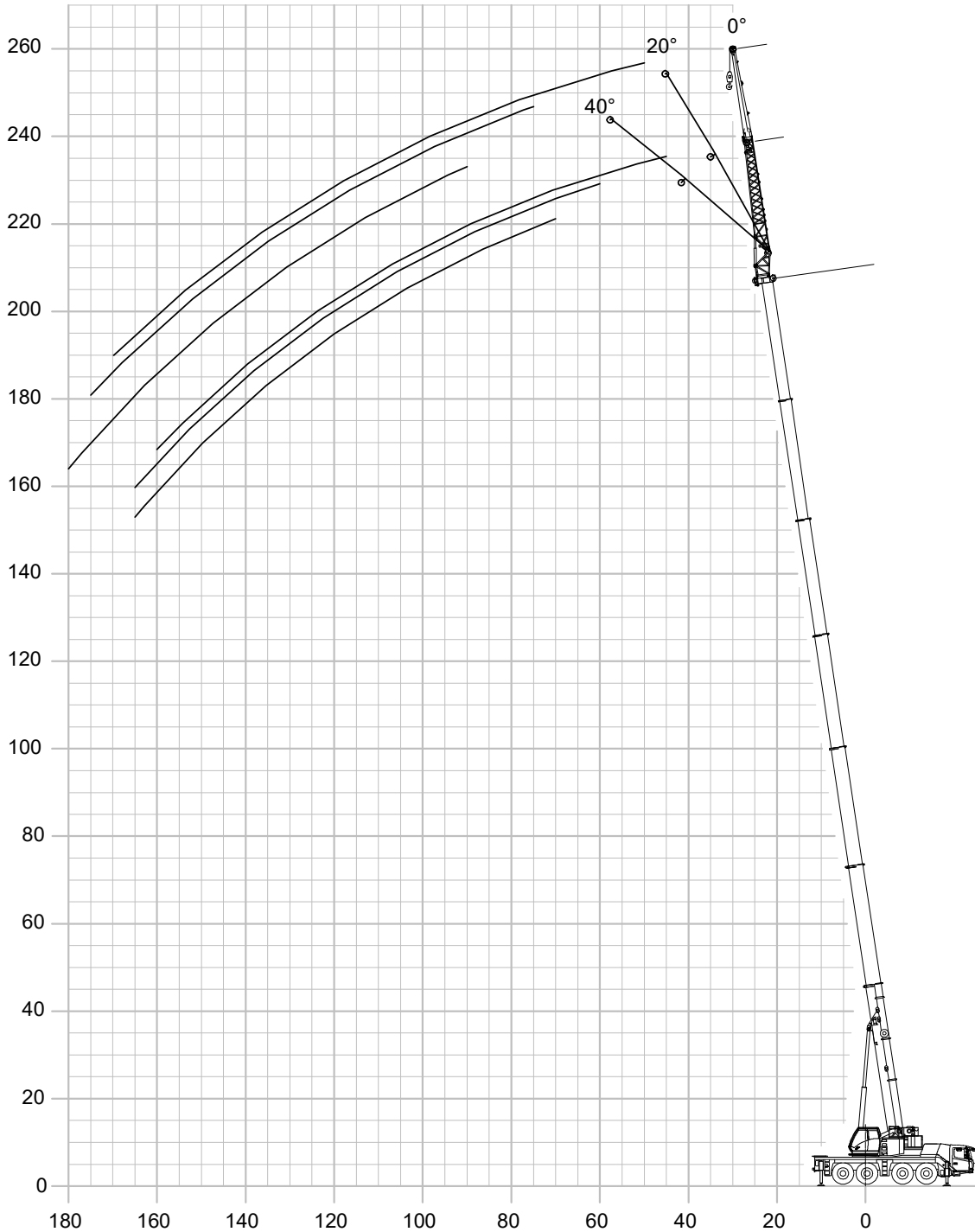
57,700 lb
(26 t)



23.6 ft
(7,2 m)



360°



THIS CHART IS ONLY A GUIDE AND SHOULD NOT BE USED TO OPERATE THE CRANE.

The individual crane's load chart, operating instructions and other instructional plates must be read and understood prior to operating the crane

LOAD CHART

Main Boom and Bi-fold Swingaway



37 ft - 197 ft
(11,3 - 60, 0 m)



0°-40°
30.9 ft (9,4 m)



57,700 lb
(26,2 t)



23.6 ft
(7,2 m)



360°



Pounds x 1000

ft	37.2			117.1			184.1			196.9		
	30.9			30.9			30.9			30.9		
	0°	0°-20°	20°-40°	0°	0°-20°	20°-40°	0°	0°-20°	20°-40°	0°	0°-20°	20°-40°
10	31.4											
15	31.4											
20	29.6	16.0										
25	25.2	14.4		28.6								
30	21.6	13.4	12.4	27.8								
35	18.8	12.4	12.0	27.2								
40	16.4	11.6	11.6	26.4	16.0	13.4	12.4					
45	14.6	10.8	11.0	25.8	15.4	13.0	12.4			10.2		
50	13.2	10.0		24.4	14.8	12.8	12.4			10.2		
55	12.0	9.2		23.0	14.2	12.6	12.4	12.4		10.2		
60	11.0			21.6	13.6	12.2	12.4	12.4	11.4	10.2	10.2	
65				20.2	13.2	12.0	12.4	12.4	11.2	10.2	10.2	
70				19.2	12.8	11.8	12.4	12.4	11.2	10.2	10.2	10.2
75				18.0	12.4	11.8	12.4	12.4	11.2	10.2	10.2	10.2
80				17.2	12.0	11.6	12.4	12.4	11.2	10.2	10.2	10.0
85				16.4	11.6	11.4	12.4	12.0	11.0	10.2	10.2	10.0
90				14.8	11.4	11.4	12.2	11.6	11.0	10.0	10.0	10.0
95				13.4	11.2	11.2	11.4	11.2	10.8	9.8	9.8	9.8
100				12.0	10.8	10.8	10.2	10.2	10.4	9.4	9.4	9.4
105				10.6	10.6	10.6	9.2	9.2	9.8	8.8	8.8	9.0
110				9.6	9.6	10.0	8.2	8.2	8.8	8.0	8.0	8.6
115				8.6	8.6		7.4	7.4	8.0	7.2	7.2	7.8
120				7.6	7.6		6.6	6.6	7.2	6.4	6.4	7.0
125				6.8	6.8		6.0	6.0	6.4	5.6	5.6	6.2
130				6.0	6.0		5.2	5.2	5.8	5.0	5.0	5.4
135				5.4			4.6	4.6	5.0	4.4	4.4	4.8
140				1.8			4.0	4.0	4.4	3.8	3.8	4.2
145							3.4	3.4	3.8	3.4	3.4	3.8
150							2.8	2.8	3.2	2.8	2.8	3.2
155							2.4	2.4	2.6	2.2	2.2	2.6
155							1.8	1.8	2.2	1.8	1.8	2.0
160									1.6			1.6

*Boom length noted represents range of similar lengths.

THIS CHART IS ONLY A GUIDE AND SHOULD NOT BE USED TO OPERATE THE CRANE.

The individual crane's load chart, operating instructions and other instructional plates must be read and understood prior to operating the crane

LOAD CHART

Main Boom and Bi-fold Swingaway



37 ft – 197 ft
(11,3 – 60, 0 m)



0°–40°
52.5 ft (16 m)



57,700 lb
(26,0 t)



23.6 ft
(7,2 m)



360°



Pounds x 1000

ft	37.2			117.1			184.1			196.9		
	52.5			52.5			52.5			52.5		
	0°	0°-20°	20°-40°	0°	0°-20°	20°-40°	0°	0°-20°	20°-40°	0°	0°-20°	20°-40°
15	15.6											
20	15.6											
25	15.4											
30	14.2	8.8		14.2								
35	12.6	8.0		13.8								
40	11.6	7.4		13.6								
45	10.6	6.8	6.4	13.4								
50	9.6	6.4	6.0	13.0	8.6		8.2			7.0		
55	9.0	6.0	5.8	12.8	8.2		8.2			7.0		
60	8.2	5.6	5.6	12.6	7.8	6.6	8.2			7.0		
65	7.6	5.0	5.4	12.4	7.6	6.4	8.2			7.0		
70	7.0	4.8	5.0	12.0	7.2	6.2	8.2	8.0		7.0		
75	6.6	4.4		11.4	7.0	6.2	8.2	8.0		7.0	7.0	
80	6.2			10.8	6.6	6.0	8.2	7.8	6.2	7.0	7.0	
85				10.4	6.4	5.8	8.2	7.6	6.2	7.0	7.0	
90				10.0	6.2	5.8	8.2	7.4	6.2	7.0	7.0	5.8
95				9.6	6.0	5.6	8.2	7.2	6.0	7.0	7.0	5.8
100				9.2	5.8	5.6	8.2	7.0	6.0	7.0	7.0	5.6
105				8.8	5.6	5.4	8.2	6.8	6.0	7.0	7.0	5.6
110				8.4	5.6	5.4	8.2	6.6	5.8	7.0	6.8	5.6
115				8.0	5.4	5.4	8.0	6.4	5.8	7.0	6.6	5.6
120				7.8	5.2	5.2	7.2	6.2	5.6	6.8	6.4	5.6
125				7.4	5.2	5.2	6.4	6.2	5.6	6.2	6.2	5.6
130				7.2	5.0	5.0	5.8	5.8	5.6	5.6	5.6	5.6
135				6.6	4.8	5.0	5.2	5.2	5.4	5.0	5.0	5.6
140				5.8	4.6		4.6	4.6	5.4	4.4	4.4	5.2
145				5.2	4.4		4.0	4.0	4.8	3.8	3.8	4.6
150				4.6	4.2		3.6	3.6	4.4	3.4	3.4	4.2
155				4.2			3.0	3.0	3.8	2.8	2.8	3.6
160				3.6			2.6	2.6	3.4	2.4	2.4	3.2
165							2.2	2.2	2.8	2.0	2.0	2.8
170							1.8	1.8	2.4	1.6	1.6	2.2
175									1.8			1.8

*Boom length noted represents range of similar lengths.

THIS CHART IS ONLY A GUIDE AND SHOULD NOT BE USED TO OPERATE THE CRANE.

The individual crane's load chart, operating instructions and other instructional plates must be read and understood prior to operating the crane