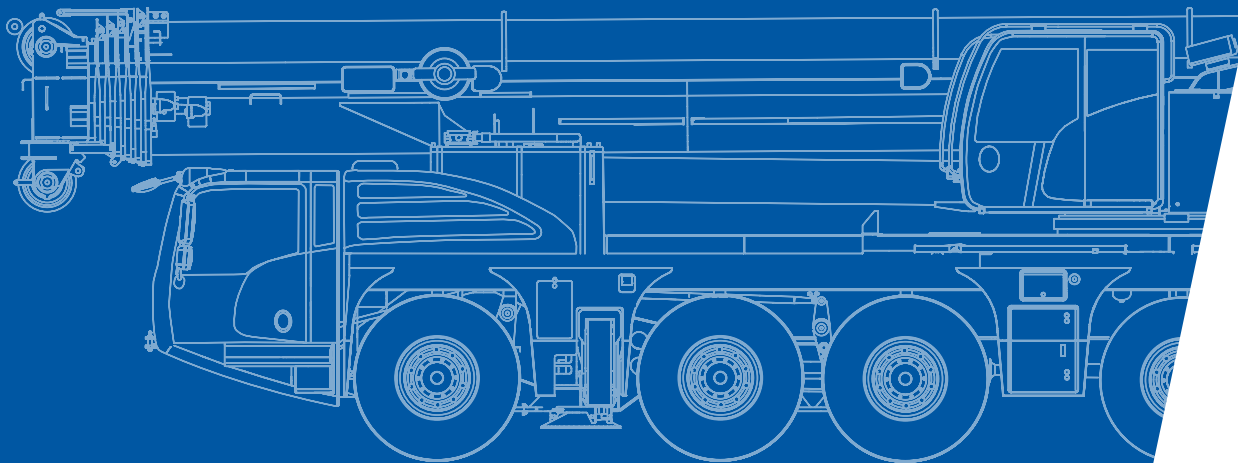


AC 250-5

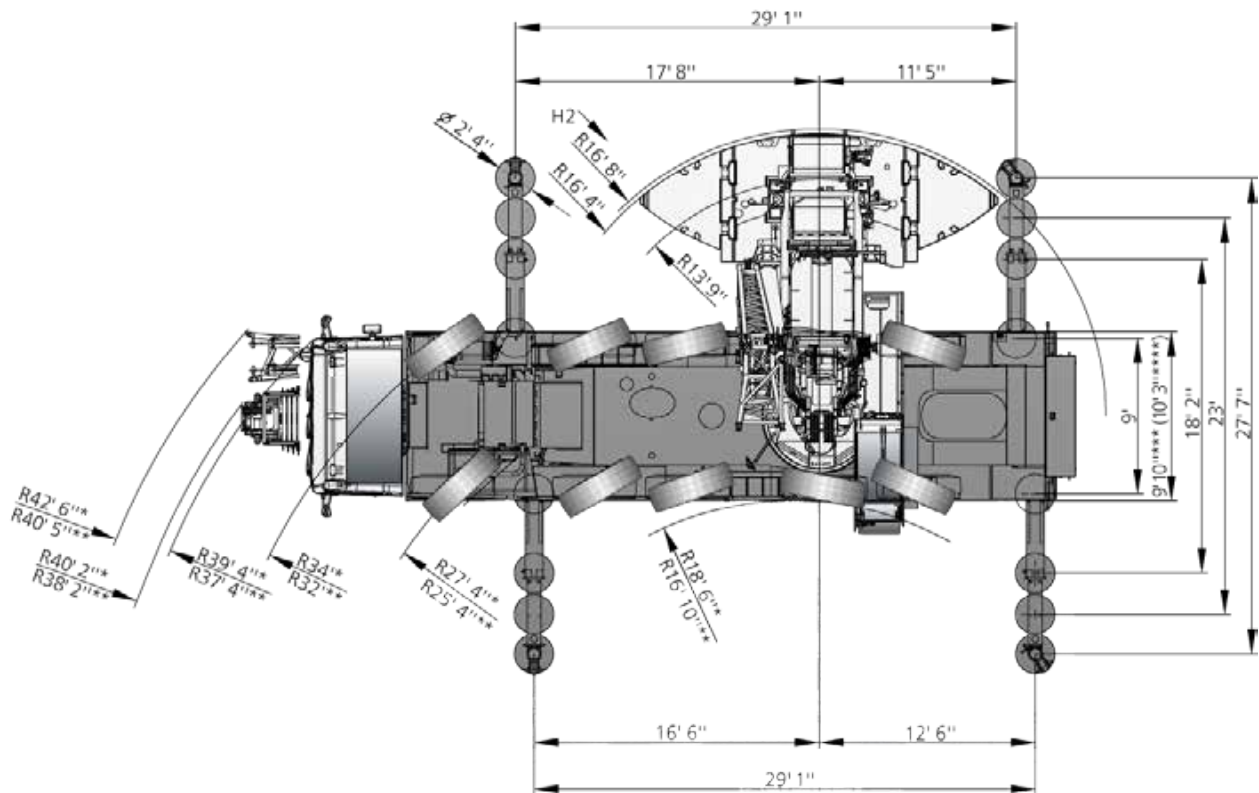




**All Terrain Crane
300 USt Capacity class**

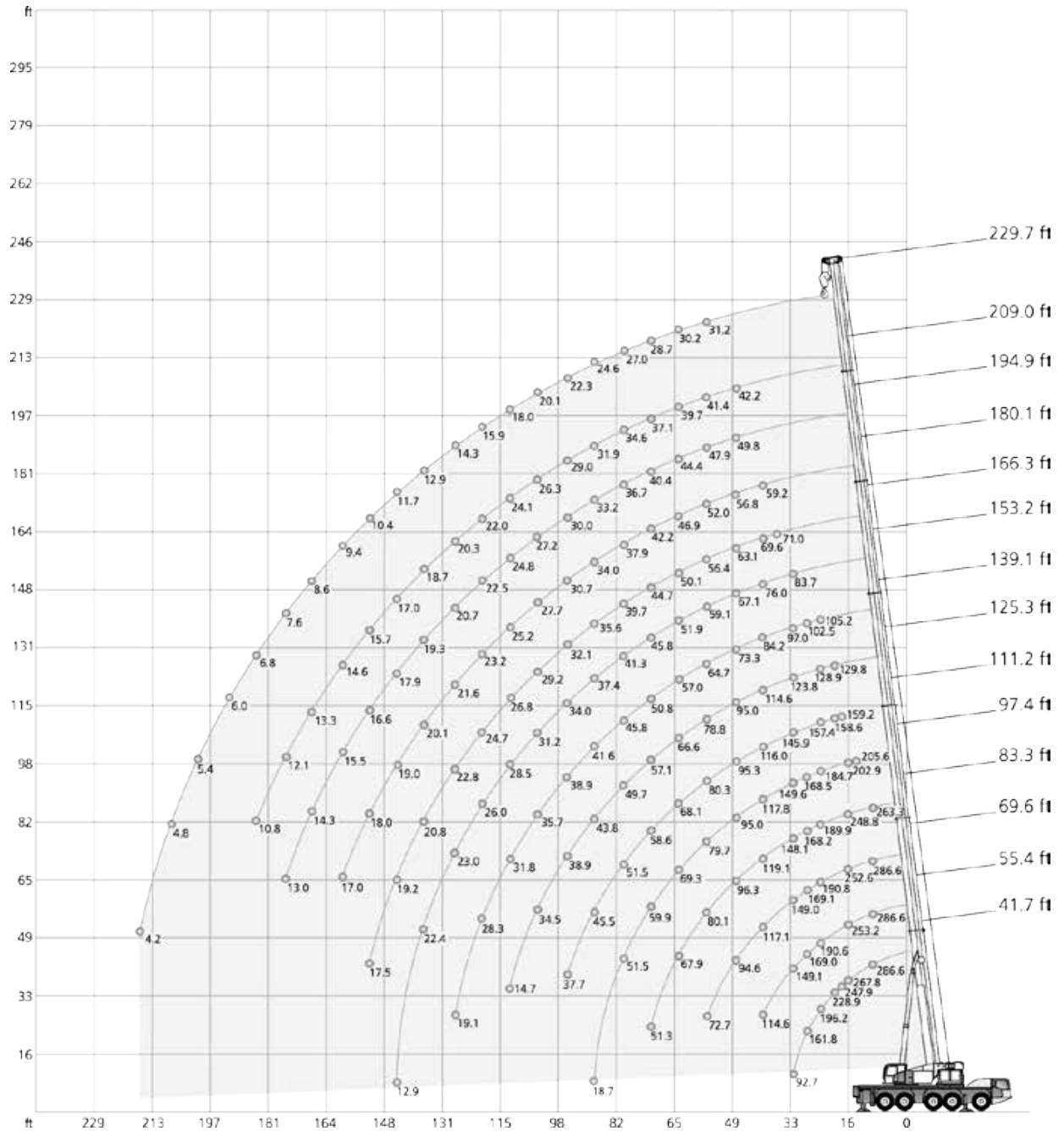
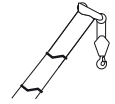
DEMAG[®]
BY TEREX 

Dimensions

AC 250-5



- * steering mode 2
 - ** steering mode 3
 - ***  385/95 R25 / 445/95 R25
 - ****  525/80 R25
- see page 6

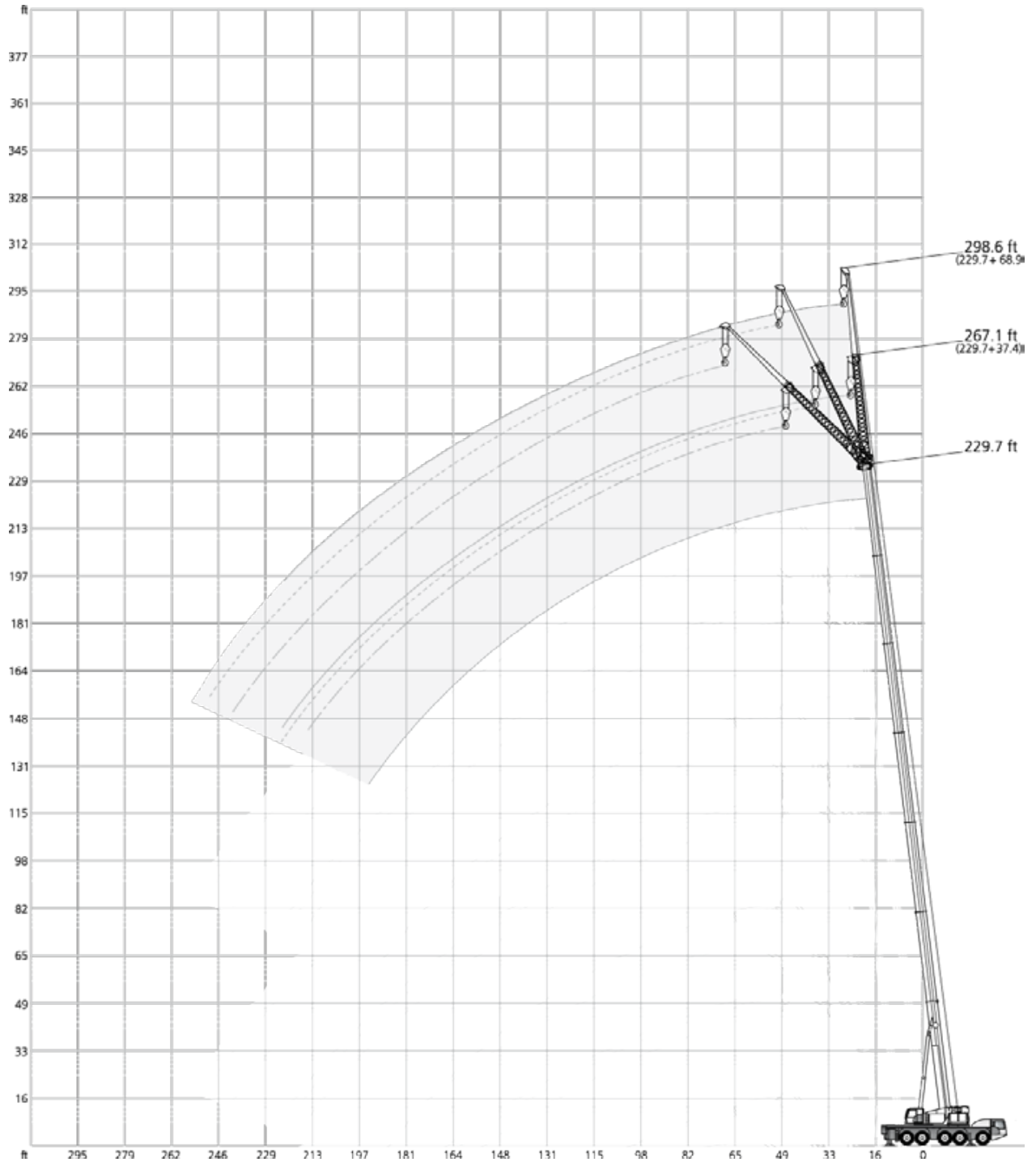
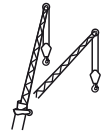




☰ 154,800 lb		📏 27.60 ft x 29.10 ft														360°		85%	
📐 41.7ft*		📐 41.7ft 55.4ft 69.6ft 83.3ft 97.4ft 111.2ft 125.3ft 139.1ft 153.2ft 166.3ft 180.1ft 194.9ft 209.0ft 229.7ft														📐			
ft	1,000 lb																ft		
10	550.0**	-	-	-	-	-	-	-	-	-	-	-	-	-	-	-	-	10	
10	286.6	286.6	286.6	286.6	263.3	-	-	-	-	-	-	-	-	-	-	-	-	10	
12	286.6	285.9	286.3	285.6	262.0	-	-	-	-	-	-	-	-	-	-	-	-	12	
14	283.7	273.8	274.9	273.3	259.5	205.6	-	-	-	-	-	-	-	-	-	-	-	14	
16	267.8	251.3	253.2	252.6	248.8	202.9	-	-	-	-	-	-	-	-	-	-	-	16	
18	247.9	233.1	235.0	235.0	232.7	200.2	159.2	-	-	-	-	-	-	-	-	-	-	18	
20	228.9	216.2	217.8	217.8	216.7	197.0	158.6	129.8	-	-	-	-	-	-	-	-	-	20	
24	196.2	189.1	190.6	190.8	189.9	184.7	157.4	128.9	105.2	-	-	-	-	-	-	-	-	24	
28	161.8	160.9	169.0	169.1	168.2	168.5	154.3	126.9	102.5	-	-	-	-	-	-	-	-	28	
32	92.7	92.7	149.1	149.0	148.1	149.6	145.9	123.8	97.0	83.7	-	-	-	-	-	-	-	32	
36	-	-	132.5	132.3	131.7	133.0	131.2	119.8	90.5	80.1	71.0	-	-	-	-	-	-	36	
40	-	-	114.6	117.1	119.1	117.8	116.0	114.6	84.2	76.0	69.6	59.2	-	-	-	-	-	40	
48	-	-	-	94.6	96.3	95.0	95.3	95.0	73.3	67.1	63.1	56.8	49.8	42.2	-	-	-	48	
56	-	-	-	72.7	80.1	79.7	80.3	78.8	64.7	59.1	56.4	52.0	47.9	41.4	31.2	-	-	56	
64	-	-	-	-	67.9	69.3	68.1	66.6	57.0	51.9	50.1	46.9	44.4	39.7	30.2	-	-	64	
72	-	-	-	-	51.3	59.9	58.6	57.1	50.8	45.8	44.7	42.2	40.4	37.1	28.7	-	-	72	
80	-	-	-	-	-	51.5	51.5	49.7	45.8	41.3	39.7	37.9	36.7	34.6	27.0	-	-	80	
88	-	-	-	-	-	18.7	45.5	43.8	41.6	37.4	35.6	34.0	33.2	31.9	24.6	-	-	88	
96	-	-	-	-	-	-	37.7	38.9	38.9	34.0	32.1	30.7	30.0	29.0	22.3	-	-	96	
104	-	-	-	-	-	-	18.0	34.5	35.7	31.2	29.2	27.7	27.2	26.3	20.1	-	-	104	
112	-	-	-	-	-	-	-	14.7	31.8	28.5	26.8	25.2	24.8	24.1	18.0	-	-	112	
120	-	-	-	-	-	-	-	13.6	28.3	26.0	24.7	23.2	22.5	22.0	15.9	-	-	120	
128	-	-	-	-	-	-	-	-	19.1	23.0	22.8	21.6	20.7	20.3	14.3	-	-	128	
136	-	-	-	-	-	-	-	-	13.2	22.4	20.8	20.1	19.3	18.7	12.9	-	-	136	
144	-	-	-	-	-	-	-	-	-	12.9	19.2	19.0	17.9	17.0	11.7	-	-	144	
152	-	-	-	-	-	-	-	-	-	-	17.5	18.0	16.6	15.7	10.4	-	-	152	
160	-	-	-	-	-	-	-	-	-	-	-	17.0	15.5	14.6	9.4	-	-	160	
168	-	-	-	-	-	-	-	-	-	-	-	-	14.3	13.3	8.6	-	-	168	
176	-	-	-	-	-	-	-	-	-	-	-	-	13.0	12.1	7.6	-	-	176	
184	-	-	-	-	-	-	-	-	-	-	-	-	-	10.8	6.8	-	-	184	
192	-	-	-	-	-	-	-	-	-	-	-	-	-	-	6.0	-	-	192	
200	-	-	-	-	-	-	-	-	-	-	-	-	-	-	5.4	-	-	200	
208	-	-	-	-	-	-	-	-	-	-	-	-	-	-	4.8	-	-	208	
216	-	-	-	-	-	-	-	-	-	-	-	-	-	-	4.2	-	-	216	
1)	46.7	46.7	34.2	26.2	20.7	16.5	13.0	10.1	7.3	5.1	3.7	-	-	-	-	-	-	1)	


1) Capacities with horizontal boom
 * over rear
 ** Capacity class


HAV


AC 250-5



154,800 lb		27.60 ft x 29.10 ft		360°			85%		
 41.7 ft									
 125.3 ft									
		37.4 ft			68.9 ft				
		0°	20°	40°	0°	20°	40°		
ft		1,000 lb							
10	41.2	-	-	-	-	-	-	-	-
12	41.2	-	-	-	23.3	-	-	-	-
14	41.2	-	-	-	23.0	-	-	-	-
16	41.2	-	-	-	22.8	-	-	-	-
18	41.2	-	-	-	22.4	-	-	-	-
20	41.2	35.0	-	-	22.0	-	-	-	-
24	41.2	32.2	-	-	21.4	-	-	-	-
28	39.8	29.9	-	-	20.5	-	-	-	-
32	36.3	27.8	22.7	-	19.4	-	-	-	-
36	33.1	26.1	21.7	-	18.2	-	-	-	-
40	30.3	24.5	20.8	-	17.0	13.6	-	-	-
48	26.1	21.9	19.3	-	14.9	12.3	-	-	-
56	22.6	20.0	18.6	-	13.2	11.2	-	-	-
64	20.1	18.9	-	-	11.9	10.3	9.1	-	-
72	-	-	-	-	10.6	9.5	8.6	-	-
80	-	-	-	-	9.8	9.0	8.3	-	-
88	-	-	-	-	9.1	8.5	8.2	-	-
96	-	-	-	-	8.5	8.2	-	-	-
28	41.2	-	-	-	-	-	-	-	-
32	41.2	-	-	-	19.0	-	-	-	-
36	41.2	-	-	-	18.6	-	-	-	-
40	41.2	30.7	-	-	18.3	-	-	-	-
48	40.9	28.6	21.8	-	17.6	-	-	-	-
56	38.8	26.9	21.0	-	17.0	13.1	-	-	-
64	35.3	25.4	20.4	-	16.3	12.3	-	-	-
72	32.3	24.1	19.9	-	15.7	11.7	-	-	-
80	29.9	22.8	19.3	-	15.0	11.2	9.0	-	-
88	27.8	21.8	18.9	-	14.1	10.6	8.7	-	-
96	25.9	20.8	18.5	-	13.3	10.2	8.6	-	-
104	24.2	20.1	18.3	-	12.4	9.8	8.4	-	-
112	22.9	19.4	18.3	-	11.6	9.5	8.2	-	-
120	21.6	18.8	18.3	-	10.9	9.1	8.1	-	-
128	20.5	18.4	18.1	-	10.4	8.7	7.9	-	-
136	19.7	18.3	9.4	-	10.0	8.4	7.9	-	-
144	19.0	18.3	-	-	9.5	8.4	7.9	-	-
152	7.9	7.9	-	-	9.0	8.2	7.9	-	-
160	-	-	-	-	8.7	8.2	6.7	-	-
168	-	-	-	-	8.5	8.2	-	-	-
176	-	-	-	-	8.4	8.2	-	-	-
184	-	-	-	-	5.2	-	-	-	-

 166.3 ft									
		37.4 ft			68.9 ft				
		0°	20°	40°	0°	20°	40°		
ft		1,000 lb							
40	39.2	-	-	-	16.5	-	-	-	-
48	38.2	-	-	-	16.0	-	-	-	-
56	36.9	27.3	-	-	15.6	-	-	-	-
64	35.2	26.0	20.6	-	15.3	-	-	-	-
72	33.1	24.7	20.1	-	14.8	12.1	-	-	-
80	31.5	23.6	19.5	-	14.3	11.6	-	-	-
88	29.7	22.7	19.1	-	13.9	11.1	8.9	-	-
96	28.0	21.8	18.8	-	13.5	10.7	8.7	-	-
104	26.2	21.0	18.4	-	13.1	10.2	8.6	-	-
112	24.3	20.3	18.1	-	12.8	9.9	8.4	-	-
120	22.3	19.7	18.0	-	12.2	9.6	8.2	-	-
128	20.3	19.2	17.7	-	11.7	9.4	8.2	-	-
136	18.3	18.5	17.3	-	11.1	9.1	8.0	-	-
144	16.8	17.0	16.4	-	10.6	8.8	7.9	-	-
152	15.5	15.7	15.3	-	10.3	8.6	7.9	-	-
160	14.4	14.4	14.4	-	9.8	8.4	7.9	-	-
168	13.3	13.4	-	-	9.5	8.2	7.9	-	-
176	12.1	12.5	-	-	9.1	8.2	7.9	-	-
184	10.9	11.2	-	-	8.8	8.0	7.9	-	-
192	-	-	-	-	8.6	7.9	-	-	-
200	-	-	-	-	8.4	7.9	-	-	-
208	-	-	-	-	8.0	7.9	-	-	-
216	-	-	-	-	7.3	7.7	-	-	-

 229.7 ft									
		37.4 ft			68.9 ft				
		0°	20°	40°	0°	20°*	40°*		
ft		1,000 lb							
72	18.5	-	-	-	10.8	-	-	-	-
80	18.4	-	-	-	10.8	-	-	-	-
88	18.0	17.6	-	-	10.6	-	-	-	-
96	17.4	16.8	16.3	-	10.6	-	-	-	-
104	16.6	16.0	15.5	-	10.4	10.2	-	-	-
112	16.0	15.2	14.7	-	10.3	9.9	8.2	-	-
120	14.9	14.4	14.2	-	10.1	9.6	8.2	-	-
128	13.6	13.7	13.6	-	10.0	9.4	8.0	-	-
136	12.2	12.4	12.6	-	9.8	9.1	7.9	-	-
144	10.9	11.3	11.5	-	9.3	8.8	7.9	-	-
152	9.8	10.2	10.4	-	8.7	8.7	7.7	-	-
160	8.8	9.2	9.4	-	8.2	8.3	7.7	-	-
168	7.9	8.4	8.4	-	7.7	8.0	7.6	-	-
176	7.0	7.4	7.4	-	7.1	7.8	7.5	-	-
184	6.1	6.6	6.6	-	6.4	7.3	7.2	-	-
192	5.4	5.8	5.8	-	5.6	6.7	6.7	-	-
200	4.7	5.0	5.0	-	4.8	6.2	6.3	-	-
208	4.1	4.2	4.2	-	4.1	5.6	5.9	-	-
216	3.6	3.6	3.6	-	3.6	5.1	5.3	-	-
224	3.0	3.0	-	-	3.0	4.7	4.8	-	-
232	-	-	-	-	-	4.3	4.3	-	-
240	-	-	-	-	-	3.9	3.9	-	-
248	-	-	-	-	-	3.5	-	-	-

 *225.7 ft